

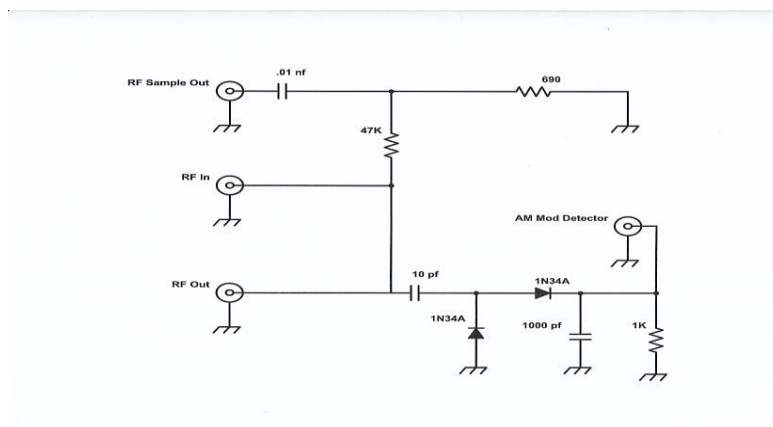
UNION COUNTY AMATEUR RADIO SOCIETY Meeting Minutes for May 18, 2023

Christopher Whitaker opened the regular meeting at 7:09 PM with 25 members and 2 guests present.

Attendance:

Chris Whitaker, AE4WS	David Keever, KV4N	Andy Kabasakalian, WB2WZC
Tom McCobb, K3TCM	Alfred KoKoszczyński, KC2GZI	Norm Beasley, KO4CB
Lisa Whitaker, KF4NYL	Gary Pincus, KY4QH	Norm Beasley, KO4CB
Dwayne Stone, KC4NHW	Karen Stone	Gary Stone, KO4NZU
Kevin Harbin, K4KII	Ray Rising, K4LWJ	Tonya Opgenorth, KO4ZMU
Paul Poloniewicz, KY4FL	David Kurtz, KM4ZDK	Mike Williams, K4IC
Rick Lanier, N4RCK	David Ladd, KO4WTD	Kathryn Ladd, KO4WKL
Julian Burns, KQ4HWQ	Paul Corso, KK4PIB	David Kurtz, KM4ZDK
Christopher Whitaker II, KK4WJL	Linda Cook (G)	Hans VanHeule(G)

1. Christopher (AE4WS) opened the meeting at 7:09 PM.
2. Tonight's meeting is being held at Siler Presbyterian Church, Wesley Chapel, NC.
3. Chris reviewed the meeting minutes April 20, 2023.
4. David K. provided the Treasurer's Report. Current Balance of \$5,318.19
5. Announced that Mike Williams has provided some old CQ Magazines for anyone interested.
6. Chris announced the events for this evening that included a UCARS History Presentation and refreshments to celebrate the 40th anniversary of UCARS.
7. Chris Whitaker presented a Slide showing the formation of UCARS in 1983, the original members, some are current members. The presentation included slides of Field Day from the beginning to current years. Other slides showed the participation the club had in supporting local events and providing phone patch conversations to distant locations. Multiple newspaper clippings of the clubs' activities.
8. Tom McCobb, K3TCM gave a presentation on how you can monitor your analog AM/SSB signal on an oscilloscope using a very easy to build interface and/or the ambient RF in an antenna tuner. The schematic diagram (shown below) for the interface was used to demonstrate how the results can be seen on the oscilloscope's screen. This interface and test will allow you to see the quality of your signal. The concept and design for the interface are from W2AEW, and his YouTube video on this project can be found at https://www.youtube.com/watch?v=y4Zt_LJX1Tc



9. 50/50 Drawing was held for \$ 49.00. David Kurtz was the winner. \$ 44.00 donated to the club's treasury.
10. The meeting was adjourned at 8:08 PM.